



CONTRACT RANGE - SURFACE MOUNTED DOOR CLOSERS

Overhead Door Closers

A series of CE marked surface mounted overhead door closers with either a slide in cover plate or with an all-over cover concealing all fixings and adjustment screws.

The range provides the following features:

- Fully certified to EN1154, EN1634 and CE Marked
- Adjustable power up to EN size 6 (see chart on page)
- Adjustable for closing speed, latch action, backcheck and with optional delayed action (see table below)
- Reversible for LH & RH applications
- Flat form or screw type arms
- Suitable for fig.1, fig.61 & fig.66 mounting
- Available in SS, PS & Sprayed Silver finishes
- Hold open arm packs available for some models (not suitable for fire doors)
- 10 year guarantee

Finishes

All closers are supplied with armsets and brackets to match the body finish.

- 02 - Polished Stainless Steel
- 01 - Satin Stainless Steel
- 16 - Silver Sprayed

Also available to order in Gold and Dark Brown sprayed finishes.

Accessories

A range of accessories is available for use with all Contract surface mounted door closers. Please see P21 for details



This series of closers is designed to provide a wide range of the most popular functional features with optional cover and armset variations. The main features of this series include full certification to EN1154, EN1634 and CE Marking.

See product selector table below for full range of features

BS EN Classifications

The following closers have been designated with the Classification number as shown below.

LG.LA801.204.16.150	4	8	2-4	1	1	3
LG.LA801.204.01.153	4	8	2-4	1	1	3
LG.LA802.205.16.150	4	8	2-5	1	1	3
LG.LA802.205.01.153	4	8	2-5	1	1	3
LG.LA806.306.16.150	4	8	3-6	1	1	3
LG.LA806.306.01.153	4	8	3-6	1	1	3



Features & Functions	Item no.	LG.LA801.204.16.150	LG.LA802.205.16.150	LG.LA806.306.16.150
		LG.LA801.204.01.153	LG.LA802.205.01.153	LG.LA806.306.01.153
Power size (see chart opposite)		2 - 4	2 - 5	3 - 6
Fixed power or adjustable		adjustable	adjustable	adjustable
Template** or spring power adjustable		template	spring	spring
BS EN 1154 compliant		•	•	•
CE Marked		•	•	•
Grade of opening angle (see note #)		4	4	4
Adjustable closing speed		•	•	•
Adjustable latch action		•	•	•
Adjustable back check		to order	•	to order
Adjustable delayed action		to order	to order	to order
Hold open armset option - to order		•	•	•
Fire tested to EN 1634 - 2 hour (timber door)		•	•	•
Fire tested to EN 1634 - 4 hour (steel door)		•	•	-

** By altering the mounting position of the closer, the closing strength can be adjusted

Grade 4 will close a door from 180° opening angle. Grade 3 will close a door from 105° opening angle

				<p>Closers with all over cover and flat armset</p> <p>Dimensions (mm)</p> <table border="1"> <thead> <tr> <th>Item ref</th> <th>L</th> <th>H</th> <th>D</th> </tr> </thead> <tbody> <tr> <td>LG.LA801...</td> <td>270</td> <td>70</td> <td>40</td> </tr> <tr> <td>LG.LA802...</td> <td>270</td> <td>70</td> <td>40</td> </tr> <tr> <td>LG.LA806...</td> <td>307</td> <td>77</td> <td>47</td> </tr> </tbody> </table>				Item ref	L	H	D	LG.LA801...	270	70	40	LG.LA802...	270	70	40	LG.LA806...	307	77	47
Item ref	L	H	D																				
LG.LA801...	270	70	40																				
LG.LA802...	270	70	40																				
LG.LA806...	307	77	47																				
				<p>Trimplate closers with screw type armset</p> <p>Dimensions (mm)</p> <table border="1"> <thead> <tr> <th>Item ref</th> <th>L</th> <th>H</th> <th>D</th> </tr> </thead> <tbody> <tr> <td>LG.LA801...</td> <td>204</td> <td>55</td> <td>39</td> </tr> <tr> <td>LG.LA802...</td> <td>236</td> <td>55</td> <td>39</td> </tr> <tr> <td>LG.LA806...</td> <td>275</td> <td>62</td> <td>45</td> </tr> </tbody> </table>				Item ref	L	H	D	LG.LA801...	204	55	39	LG.LA802...	236	55	39	LG.LA806...	275	62	45
Item ref	L	H	D																				
LG.LA801...	204	55	39																				
LG.LA802...	236	55	39																				
LG.LA806...	275	62	45																				



CONTRACT RANGE - SURFACE MOUNTED DOOR CLOSERS

Overhead Door Closer

An economical closer which has a full range of functions including adjustable power and backcheck capability.

This closer has the following features:

- Suitable for fire door applications
- Fire tested to EN1634 up to 60 minutes and UL Listed
- Adjustable power size 2 - 4 suitable for doors up to 80kg and 1100mm wide (see chart below)
- Adjustable closing speed and latch action
- Simple installation and adjustment
- Sprayed silver finish with other colours available (please contact your Laidlaw Gulf Consultant for details)
- 10 year guarantee



Features & Functions	Item no.	LG.LA803.204.16.150
Power size (see chart opposite)		2 - 4
Fixed power or adjustable		adjustable
Template** or spring power adjustable		template
BS EN 1154 compliant & CE Marked		-
Grade of opening angle (see note #)		4
Adjustable closing speed		•
Adjustable latch action		•
Adjustable back check		to order
Adjustable delayed action		-
Hold open armset option - to order		•
Fire tested to EN 1634 - 1 hour (timber door)		•
Fire tested to EN 1634 - 4 hour (steel door)		-

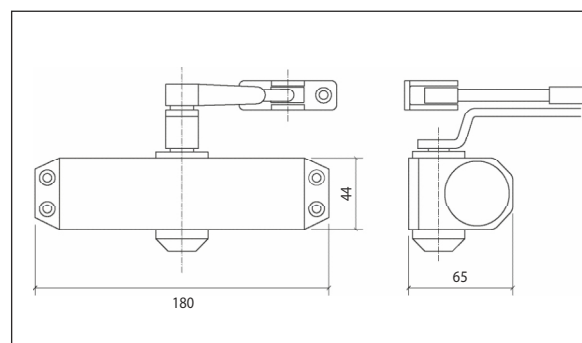
Finishes

This closer is available in sprayed finishes with arms and brackets to match.

16 - Silver Sprayed

Grade 4 will close a door from 180° opening angle.

** By altering the mounting position of the closer, the closing strength can be adjusted



Accessories

A range of accessories is available for use with all Contract surface mounted door closers. Please see overleaf for details.

BS EN 1154 Power size	Door width (mm)					
	750mm	850mm	950mm	1100mm	1250mm	1400mm
1	20kg					
2	40kg					
3	60kg					
4	80kg					
5	100kg					
6	120kg					

Power sizes

The dimensions stated in the chart above relate to closers mounted on the pull side of the door (fig.1 applications) only.



CONTRACT RANGE - SURFACE CLOSER ACCESSORIES

Door Closer Accessories

A series of accessories is available for use with the Contract Range of surface mounted door closers. Please refer to the table for applications to each door closer.

- Supplied in finishes to match the door closer body
- All accessories supplied with appropriate fixings for timber or steel doors



Accessories			LG.LA801.204.16.150	LG.LA802.205.16.150	LG.LA806.306.16.150	LG.LA803.204.16.150
	SA	standard arm	● ●	● ●	● ●	● ●
	FA	extended arm	● ●	● ●	● ●	● ●
	HOA	hold-open arm	● ●	● ●	● ●	● ●
	TA *	track arm	●	●	●	●
	PA *	parallel arm bracket	○	○	○	○
	FP1	glass door shoe	○	○		
	FP2	drop plate	○	○	○	
	FP3	angle bracket	○	○	○	
	FP4	mounting backplate	○	○	○	
	FP5	arm adapter plate	○	○	○	○

- available with the closer body as a set
- ◐ available for sale separately to the closer body
- optional accessory

* Use of track arm or parallel arm bracket will reduce the power size of the closer by at least one power size.